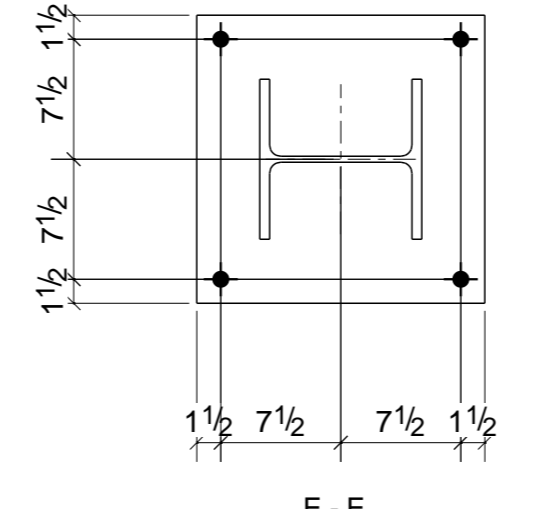
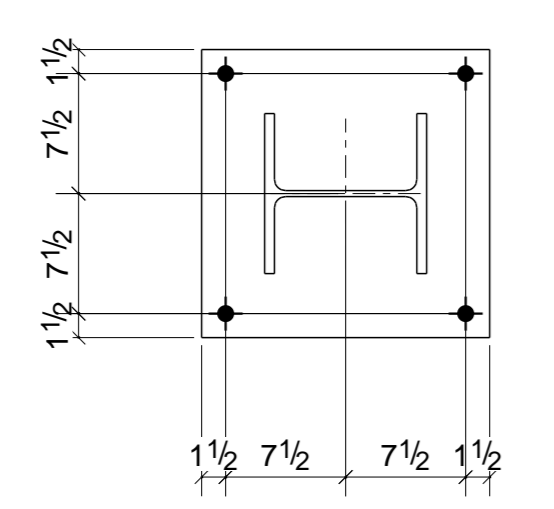
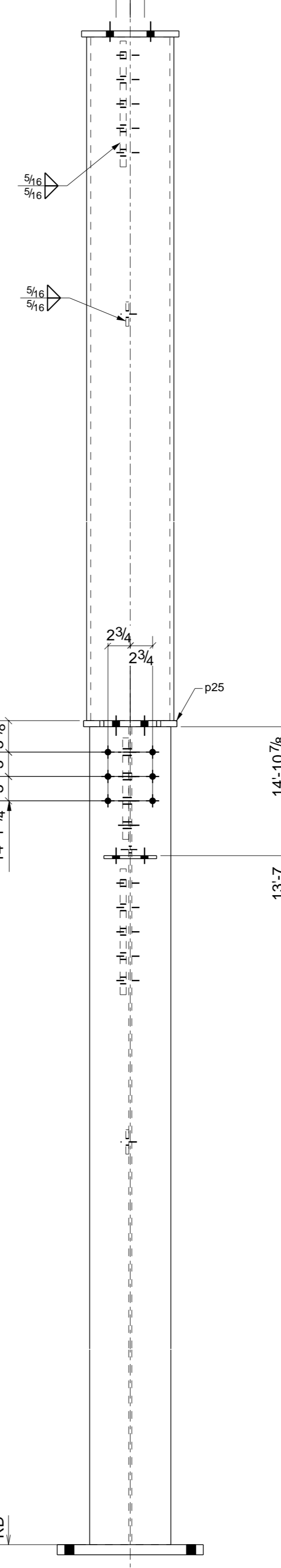
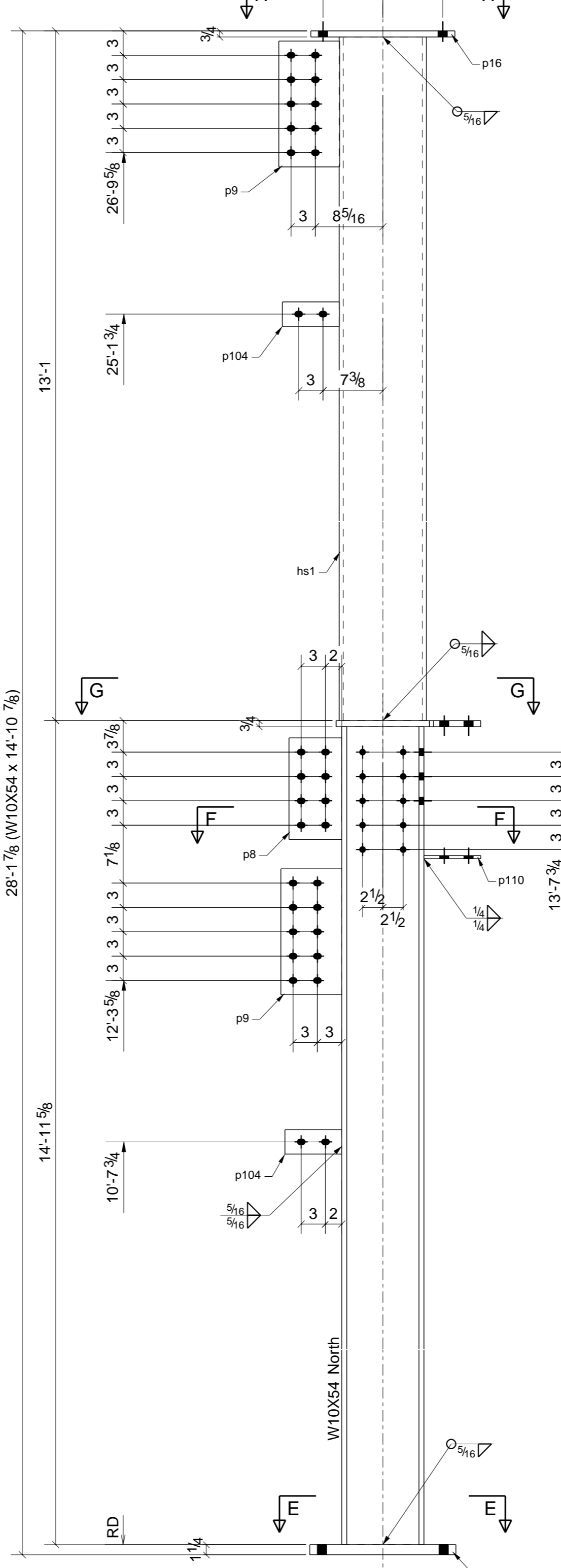
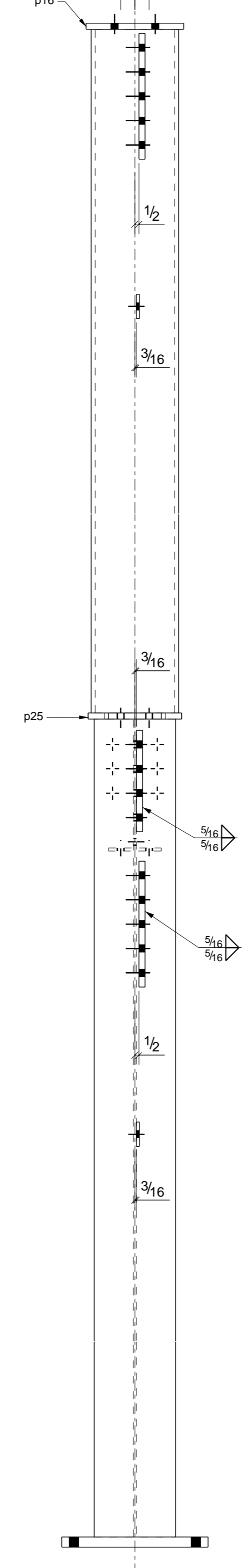
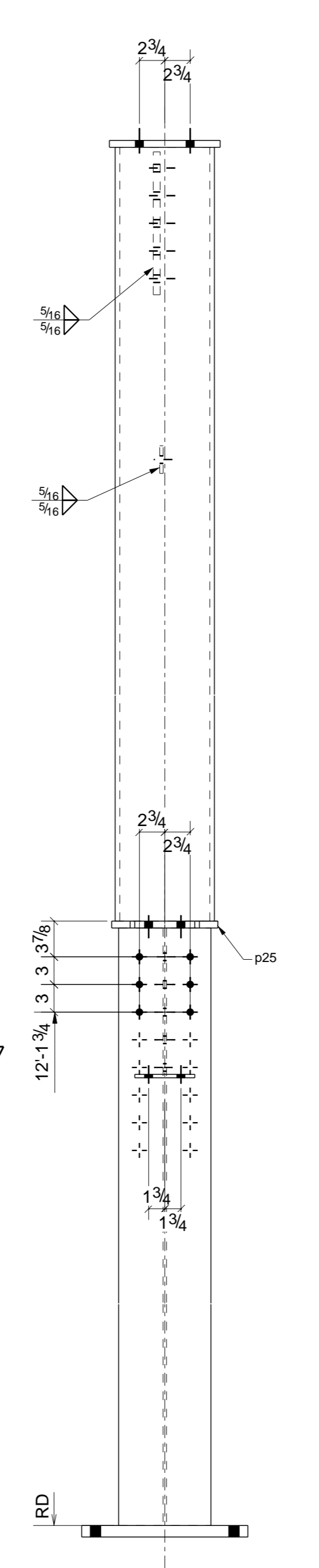
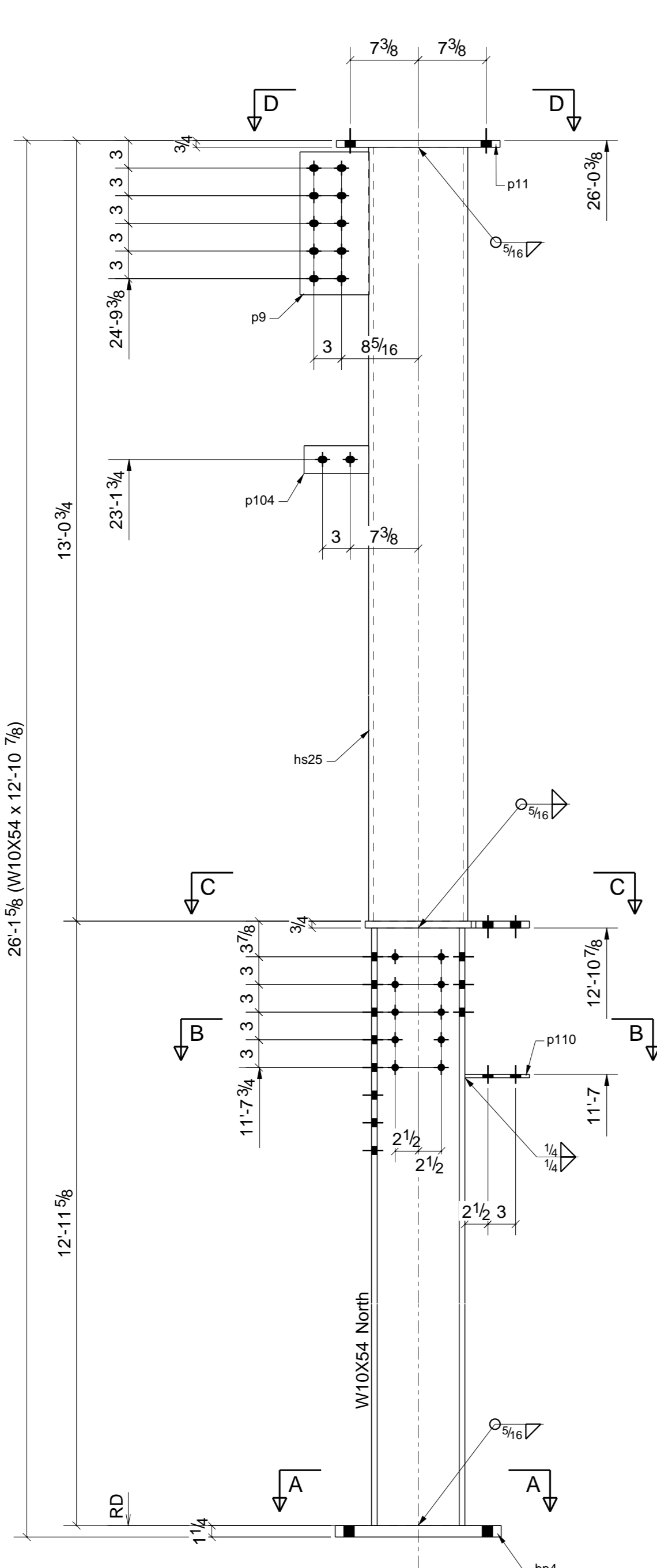
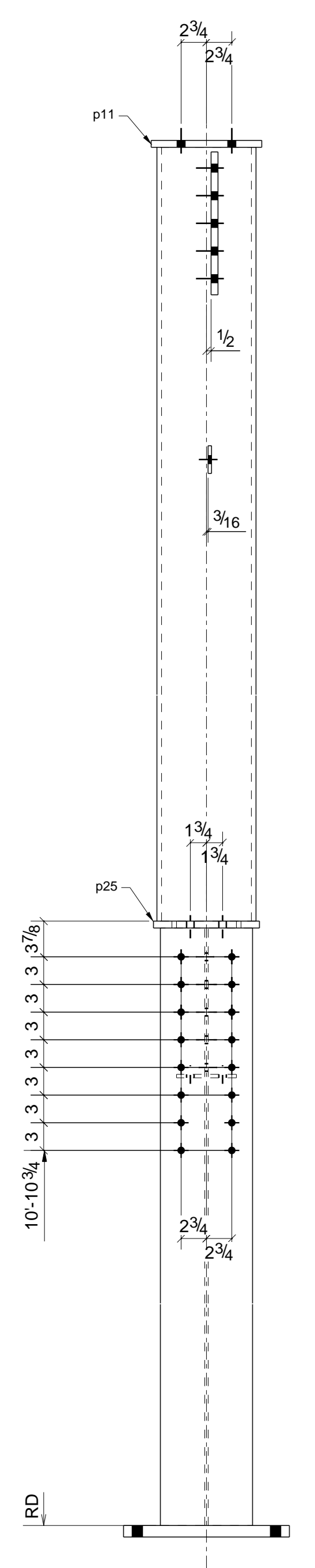
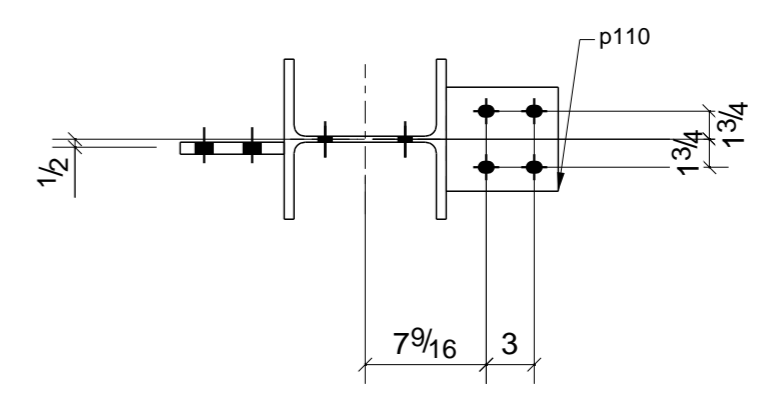
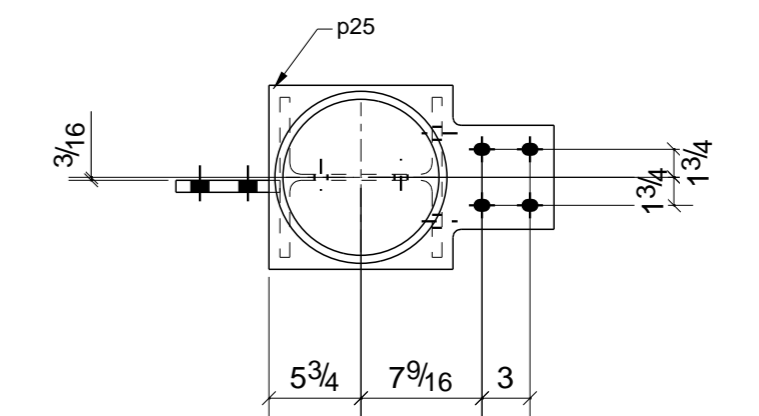
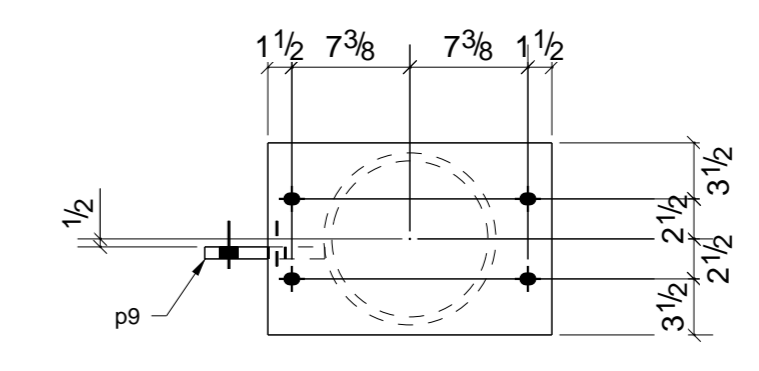
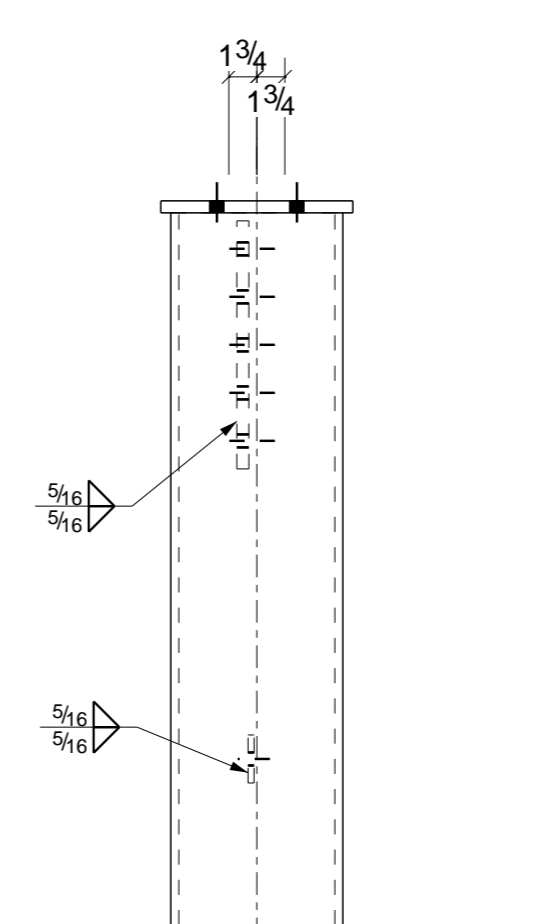
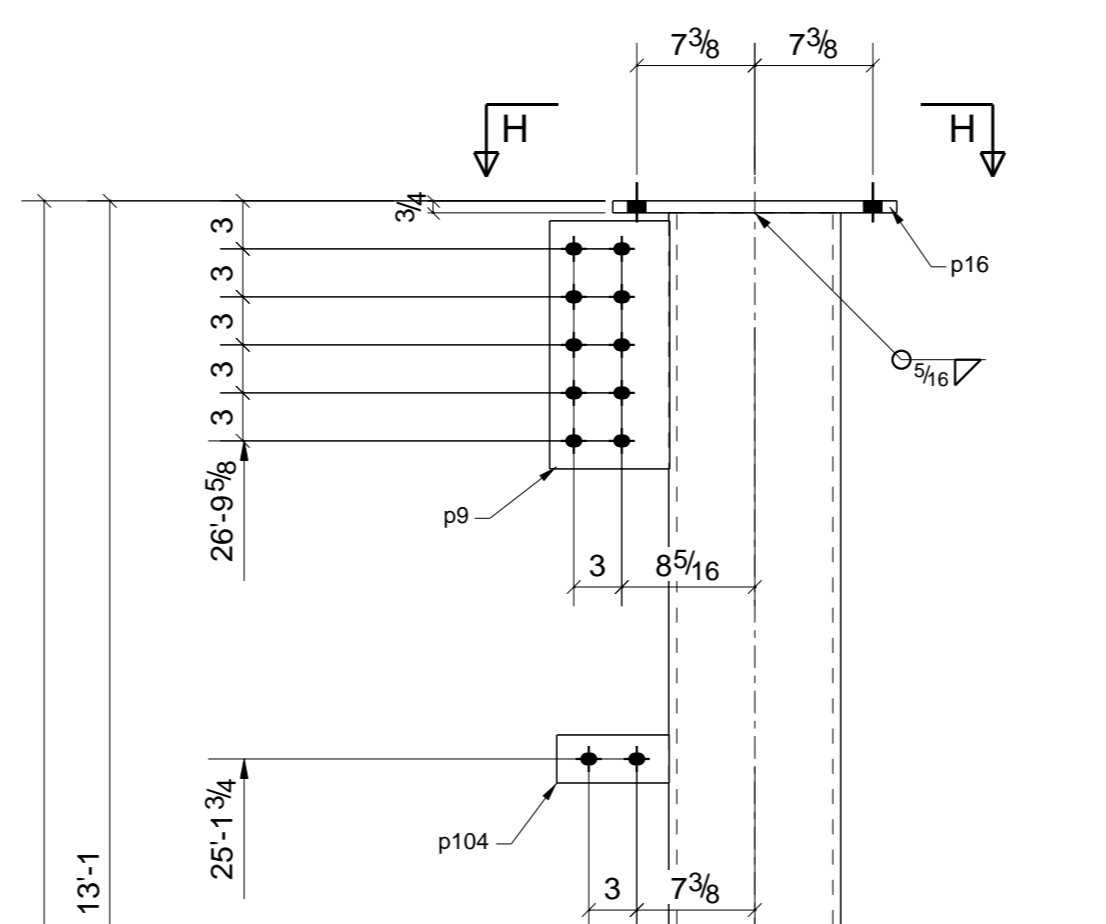
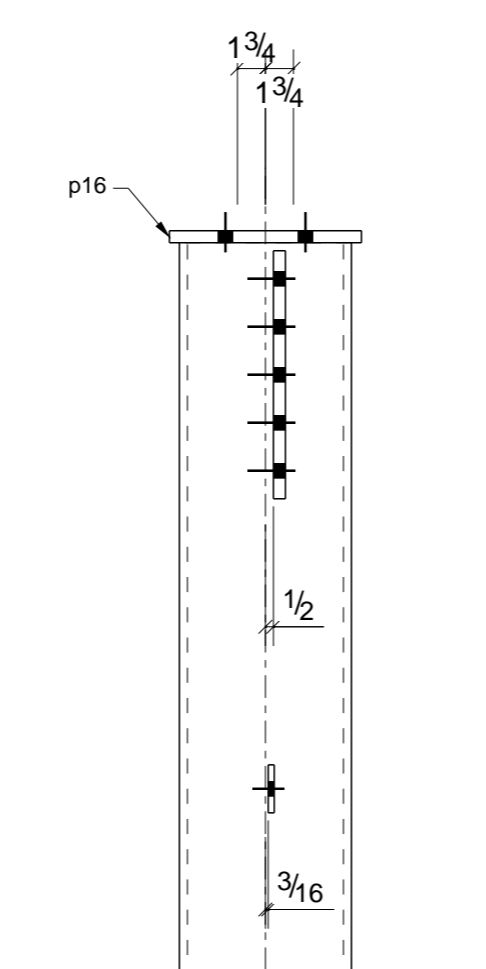
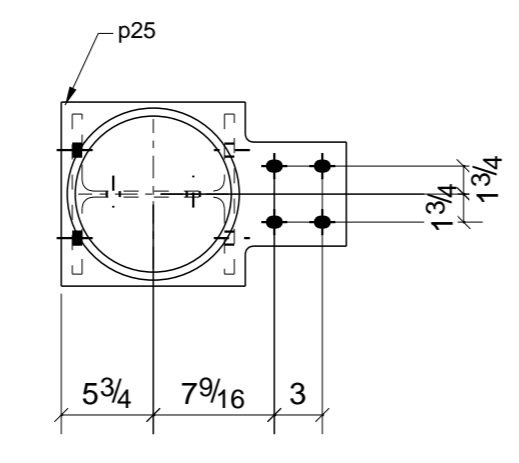
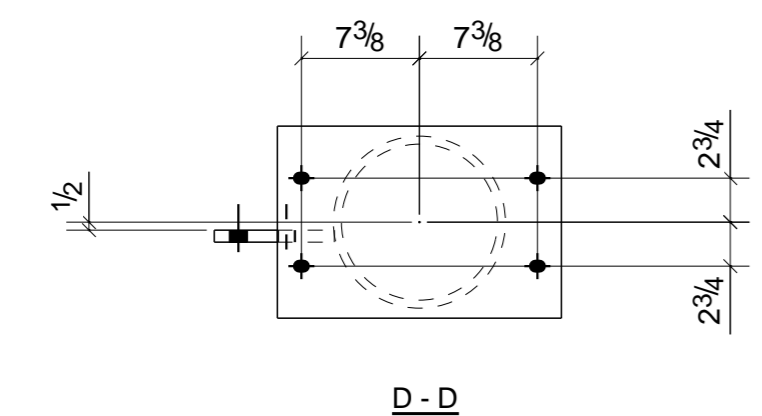
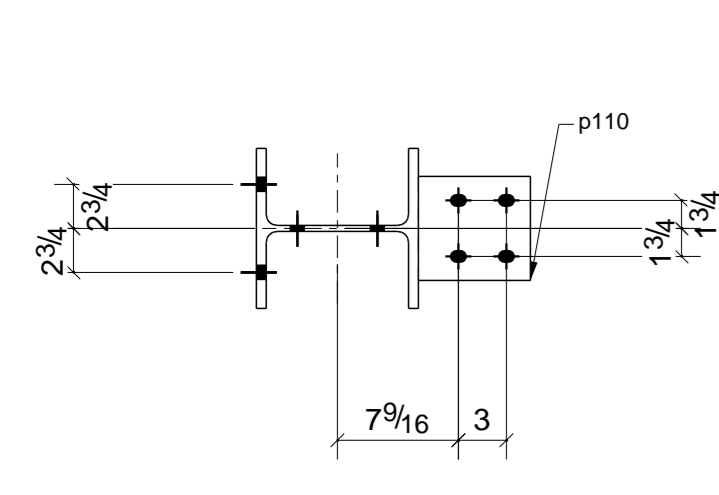


**BILL OF MATERIAL**

SHIP MARK	PIECE MARK	QTY	DESCRIPTION	LENGTH	REMARKS
101C1		1	W10X54	12'-10 7/8"	SQ2 A992
	bp4	1	PL1 1/4"X18"	1'-6"	A36
	p9	1	FL3/4"X7 1/2"	1'-3 1/2"	A36
	p11	1	FL3/4"X12"	1'-5 3/4"	A36
	p25	1	FL3/4"X11 1/2"	1'-5 13/16"	A36
	p104	1	FL3/8"X3"	0'-7"	A36
	p110	1	FL3/8"X6 1/2"	0'-7"	A36
	hs25	1	HSS10.750X0.500	13'-0"	A500-GR.B
101C2		1	W10X54	14'-10 7/8"	SQ2 A992
	bp4	1	PL1 1/4"X18"	1'-6"	A36
	p8	1	FL3/4"X6 1/2"	1'-0 1/2"	A36
	p9	2	FL3/4"X7 1/2"	1'-3 1/2"	A36
	p16	1	FL3/4"X12"	1'-5 3/4"	A36
	p25	1	FL3/4"X11 1/2"	1'-5 13/16"	A36
	p104	2	FL3/8"X3"	0'-7"	A36
	p110	1	FL3/8"X6 1/2"	0'-7"	A36
	hs1	1	HSS10.750X0.500	13'-0 1/4"	A500-GR.B



**ONE - COLUMN - 101C1**

**ONE - COLUMN - 101C2**

REV.	DATE	DESCRIPTION	BY	CHKD BY
O	12/01/2014	For Fabrication	JSG	N/A
A	10/29/2014	For Approval	JSG	N/A
OPEN HOLES 13/16" U.N.O.				
PAINT SP3-STD PRIMER				
<b>STATELINE FABRICATORS L.L.C.</b>				
908-387-8800				
ARCHITECT SPILLMAN PENNONI INC.			P.O. BOX 619 PHILLIPSBURG, NJ	
PROJECT NAME		EASTON CITY HALL		
LOCATION		EASTON, PA		
CONTRACTOR		BOYLE CONSTRUCTION		
DESCRIPTION		SHOP DETAILS		
DRAWN BY		JSG		
CHECKED BY		N/A		
APPROVED BY		N/A		
			JOB No.	1415
			DRG No.	101