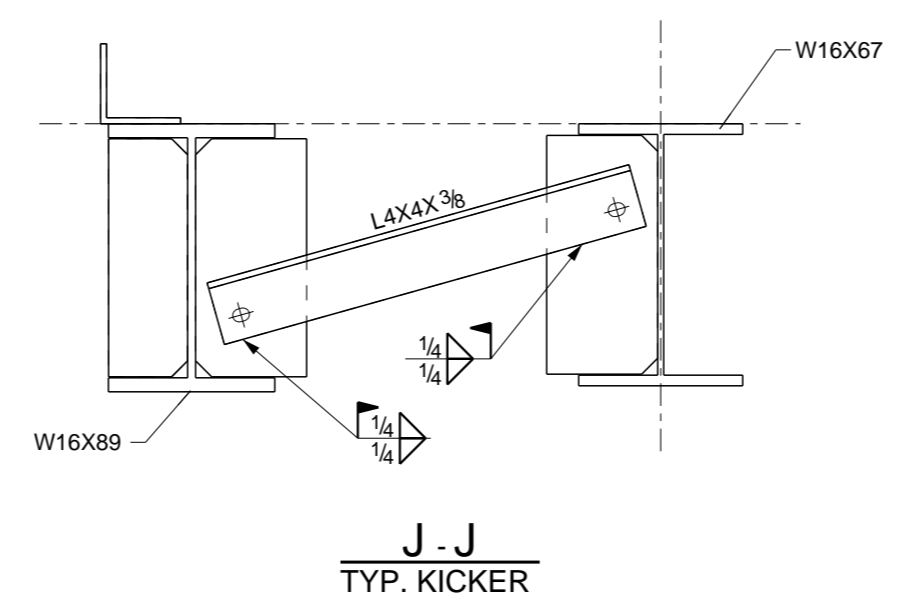


0	03/01/2015	For Field Use	JSG	N/A
A	12/23/2014	For Approval	JSG	N/A
REV.	DATE	DESCRIPTION	BY	CHKD BY
OPEN HOLES 13/16" U.N.O.				
PAINT SP3-STD PRIMER				
STATELINE FABRICATORS L.L.C.				
908-387-8800				
ARCHITECT		SPILLMAN		P.O. BOX 619
ENGINEER		PENNON INC.		PHILLIPSBURG, NJ
PROJECT NAME EASTON CITY HALL				
LOCATION EASTON, PA				
CONTRACTOR BOYLE CONSTRUCTION				
DESCRIPTION A THRU C - THIRD FLR FRAMING				
DRAWN BY JSG			JOB No. 1415	
CHECKED BY N/A			DRG No. E701	
APPROVED BY N/A				

PARTIAL THIRD FLOOR FRAMING PLAN

- T.O.S. ELEVATION IS 28'-7"
- NORTH ARROW IS PLAN ONLY!
- ⊗ - INDICATES MITERED CORNER
- ⬤ - INDICATES MOMENT CONNECTION
- ➔ - ORIENTATION MARKS INDICATE THE ERECTION DIRECTION OF ASSEMBLIES.
- (SL) INDICATES SLOPING STEEL
- [#] INDICATES NUMBER OF 3/4" X 4" LONG HEADED STUDS FIELD WELDED TO BEAMS



T.M. Structures